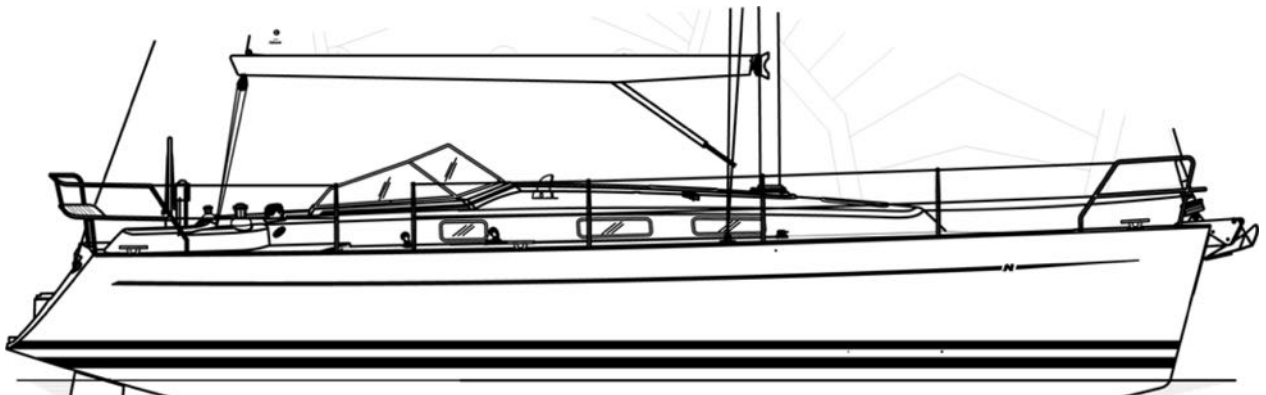


NAJAD 355 / 2011

Specification





NAJAD 355 / 2011

Description

A modern and exclusive yacht built by Najadvarvet. The designers Judel/vrolijk & co. gave her sleek lines, a powerful rig and efficient appendices, resulting in a fast but yet easy to handle yacht.

All sheets, halyards and control lines are lead back to two pairs of winches next to the helm station. Thus the NAJAD 355 can be sailed one-handed.

Elegant and beautiful mahogany interior designed by Rhoades/Young.

This specific N-355/2011 is in excellent shape. Lightly used for holiday sailing in Sweden.

Located at XLNT Henån, ready for viewing!

Key Fact's

A yacht in excellent condition
Main sail and Genua, Laminate (UK)
Volvo D2 40
Bow thruster
Windlass in bow and stern
"Timo" bow ladder
Plotter
Autopilot

Info

Modell	Najad 355
Yard	Najadvarvet AB
Naval architect's	Judel/Vrolijk
Interior design	Rhodes Young
Year	2011
Location	XLNT Henån, Sweden
Price SEK	SEK 1.850.000 kr
VAT	Paid in Sweden (EU)

Dimensions

Length	10,90 m
LVL	9,58 m
Width	3,40 m
Draft	1,90 m
Displacement	7 ton
Engine	Volvo D2-40S, 40 hp
Fuel	150 L
Water	250 L
Black water	60 L
Hot water	40 L

NAJAD 355 / 2011

Specification

RIG & SAILS

Rig

Selden mast
Furlex for genua
Mechanical back stay adjuster
Rodkick with gas damper
Deck lights
Steaming light
3-color and anchor light
Aluminium rigging screw protection
Windex
2 x Flag halyard

Sails

Main sail, fully battened (Laminate, UK)
Genua (Laminate, UK)

DECK GEAR

Winches

2 x Genua winch (Andersen 46 STE)
2 x Halyard winch (Andersen 28 ST)

Deck/Sailing gear

Deck gear (Ronstan)
Line clutches (Spinlock)

Mooring equipment

4 x cleat, stainless steel
2 x spring cleat, stainless steel
4 x Mooring lines
6 x Fenders
Boat hook
"Timo" bow ladder
Life line gates

Anchor system

Bow: Electrical windlass, Delta anchor 25 kg galvanized, 40 m x 8 mm chain
Stern: Electrical windlass, Bruce 20 kg stainless steel, 40 m lead line

Skylights, portlights, ventilation

Fixed windscreen with stainless steel frame
2 x skylights
8 x portlights (opening type in aft cabin, galley, heads and fw cabin)
2 x dorade valves

Teak

Teak on deck, cockpit and swim platform

Cockpit

High gloss varnished entrance hatches and companionway and

Cockpit table
Steering wheel, stainless steel, elk hide covered
Stainless steel grab rail at pedestal
Large storage space to SB
Sprayhood
Sprayhood extension (cockpit tent)
Grab rail aft of sprayhood frame, stainless steel, elk hide covered

Misc deck gear

Safety /swim ladder
Teak seats integrated in pushpit
Secumar life boy

INTERIOR

General

Hand made interior of mahogany and Jatoba
Inspection hatches in floorboards
Headlining of cream white covered panels

Layout

2-cabin layout, large heads with separate shower compartment, saloon, galley and navtable

Saloon

Exclusive entrance stair with shaped footsteps. 2 x Sofas and a foldable dinner / coffee table,
Navigation area to sb, plenty of cupboards and storage

Galley

The Galley is located to port of the entrance stair. Plenty of storage spaces, cupboards, drawers, dry storage.

Gas stove, 2-burners with oven (Force 10)
Gas valve remote control
Fridge box 92 L
Plexicor worktop
Additional foldable table in the galley
Single lever fresh water mixer
Salt water at sink

Aft cabin

Spacious aft cabin with double berth, wardrobe, cupboards and drawers

Forward cabins

Forward cabin with double berth, seat, wardrobe, cupboards and shelves

Heads / Shower

Light and spacious heads with separate shower compartment. Plexicor bench top and floor board, cupboards for storage, manual toilet

Interior details

Skyscreens at all skylights
Ceiling light with dimmer function
Clock and Barometer

TECHNICAL SYSTEMS

Engine and Propulsion

Bow thruster
Well insulated engine room
Volvo D2-40S

Diesel pre filter
Salt water filter
3-bladig folding propeller

Tanks

Diesel 150 L
Fresh water 250 L
Black water 60 L
Hot water 40 L

Pumps

Manual bilge pump
Electrical bilge pump

Electrical system

12 V Solar panel with regulator
220 V Shore power, 4 x outlets, battery charger 12V/50A (Mastervolt)
12 V service batteries 240 Ah (3 x 120 Ah)
12 V start battery 75 A
12 V / 115 A generator

Navigation system

Compass
Wind, speed and depth instruments (Raymarine ST 60)
Plotter (Garmin GPS map 526) at SB entrance
Plotter Garmin (big screen) in pod at pedestal
Autopilot (Raymarine SPX10 with gyro)

Communication

VHF (RO 4800)
Antenna for VHF, TV and FM/AM (RR)

Hi-Fi

CD/Radio, 2 x speakers in the saloon+ 2 speakers in cockpit
TV

Misc technical systems

Eberspracher diesel heater

Misc technical equipment

3 x Fire extinguisher

Type approval

CE certified category A (unlimited ocean voyages)
Yacht is built in compliance with GL 100 A5

Disclaimer: The Company offers the details of this vessel in good faith but cannot guarantee or warrant the accuracy of this information nor warrant the condition of the vessel. A buyer should instruct his agents, or his surveyors, to investigate such details as the buyer desires validated. This vessel is offered subject to prior sale, price change, or withdrawal without notice.